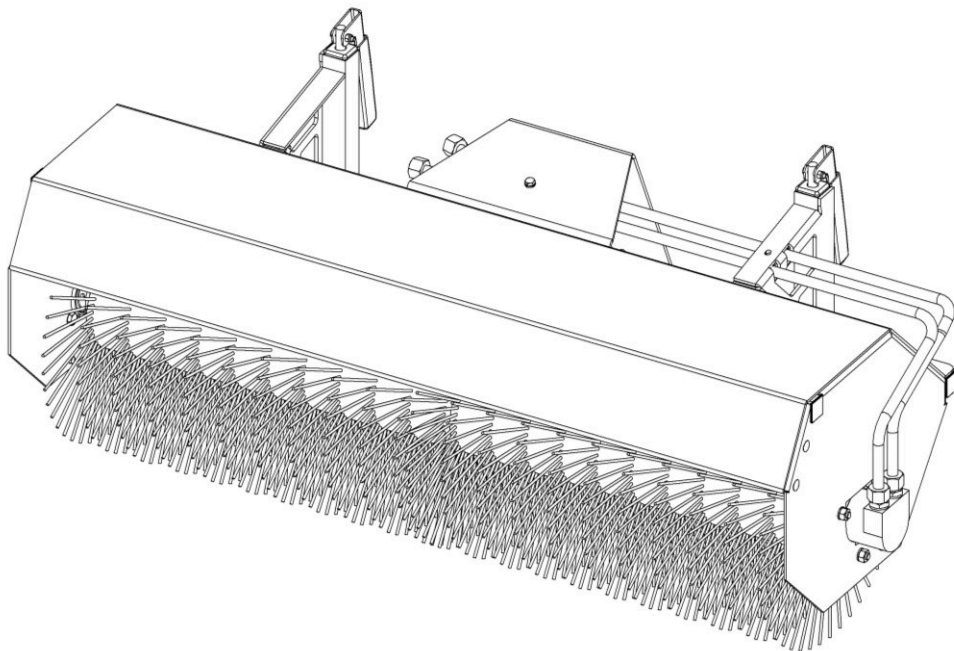




Spare Parts List

Attachment - front sweeper

KM 10037 H-FKDR; EFKM 10037 H-KU 70
KM 11537 H-FKDR; EFKM 11537 H-KU 70
KM 12537 H-FKDR; EFKM 12537 H-KU 70



Order number: E00042

from machine number:

Rev.: R04

Status:19.10.2021

Kersten
SITE MAINTENANCE EQUIPMENT

Telephone: 0118 9869 253

Email: office@kerstenuk.com

Progress House, 39 Boulton Road, Reading, Berkshire, RG2 0NH, United Kingdom

<https://kerstenuk.com/>

1 Table of contents

1 Table of Contents 2

2 Model overview 3

2.1 KM 10037 H-FKDR - C02752 R00.....	3
2.2 KM 11537 H-FKDR - C02753 R00.....	3
2.3 KM 12537 H-FKDR - C02754 R00.....	3
2.4 EFKM 10037 H-KU 70- C02755 R00	3
2.5 EFKM 11537 H-KU 70- C02756 R00	3
2.6 EFKM 12537 H-KU 70- C02757 R00	3

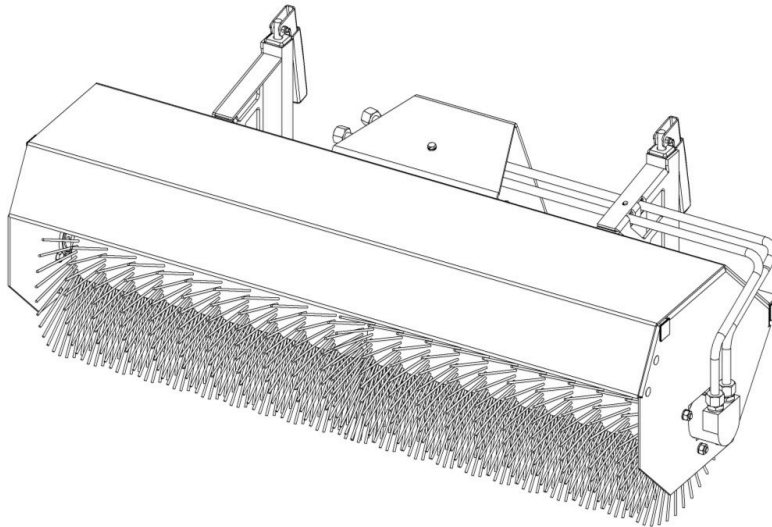
3 Assembly overview 4

3.1 Basic device 4	
3.1.1 Basic unit KM 10037 H-FKDR -C04581R00	5
3.1.2 Basic device KM 11537 H-FKDR -C04793R00	6
3.1.3 Basic unit KM 12537 H-FKDR -C04792R00	7
3.2 Screwable base housing 8	
3.2.1 Basic housing KM 10037 H - C04582 R01	8
3.2.2 Basic housing KM 11537 H - C04583 R00	9
3.2.3 Basic housing KM 12537 H - C04584 R00	9
3.3 Recording KD - C02046 R01	10
3.4 Recording KU 70 - C02045 R00	11

4 Accessories for front sweeper 12

4.1 Dirt collection container 12	
4.1.1 Dirt collection container SSB 100 K for KM 10037 H-FKDR - C00856 R00	13
4.1.2 Dirt collection container SSB 115 K for KM 11537 H-FKDR - C01553 R00	14
4.1.3 Dirt collection container SSB 125 K for KM 12537 H-FKDR - C01492 R00	15
4.2 Rubber splash flaps 16	
4.2.1 Rubber splash flap GUSPL 100 for KM 10037 H-FKDR - C01490 R00	16
4.2.2 Rubber splash flap GUSPL 115 for KM 11537 H-FKDR - C01554 R00	17
4.2.3 Rubber splash flap GUSPL 125 for KM 12537 H-FKDR - C01493 R00	17
4.3 Supports AST 37 LR- C01989 R00	18
4.4 Attaching side brush - ASM 4032 / ASM 4037 - C00900 R00	19
4.5 Attachment of side brush - ASM 4032 / ASM 4037 - C00900 R00	20
4.6 Attachment of side brush - ASH 403237 right version - C05504 R00	21
4.7 ASH 403237 left version - C05505 R00	23
4.8 Water sprinkler system WAS 51 KM - C01818 R00	24
4.9 Hilltop	25
4.10 Dome triangle Cat. Kersten - S1154	25
4.11 Water sprinkler system WAS 52 KM - C01795 R00	26
4.12 Dome triangle Cat. Kersten - S1154	27
4.13 Sweeping rollers: diameter 37cm	28

2 Model overview



2.1 KM 10037 H-FKDR - C02752 R00

No.	Art.-No.	No.	designation
1	C04581 R00	1	basic unit KM 10037 H-FKDR
2	C02046	1	recording KD

2.2 KM 11537 H-FKDR - C02753 R00

No.	Art.-No.	No.	designation
1	C04793 R00	1	basic unit KM 11537 H-FKDR
2	C02046	1	recording KD

2.3 KM 12537 H-FKDR - C02754 R00

No.	Art.-No.	No.	designation
1	C04792 R00	1	basic unit KM 12537 H-FKDR
2	C02046	1	recording KD

2.4 EFKM 10037 H-KU 70- C02755 R00

No.	Art.-No.	No.	designation
1	C04581 R00	1	basic unit KM 10037 H-FKDR
2	C02045	1	attachment holder KU 70

2.5 EFKM 11537 H-KU 70- C02756 R00

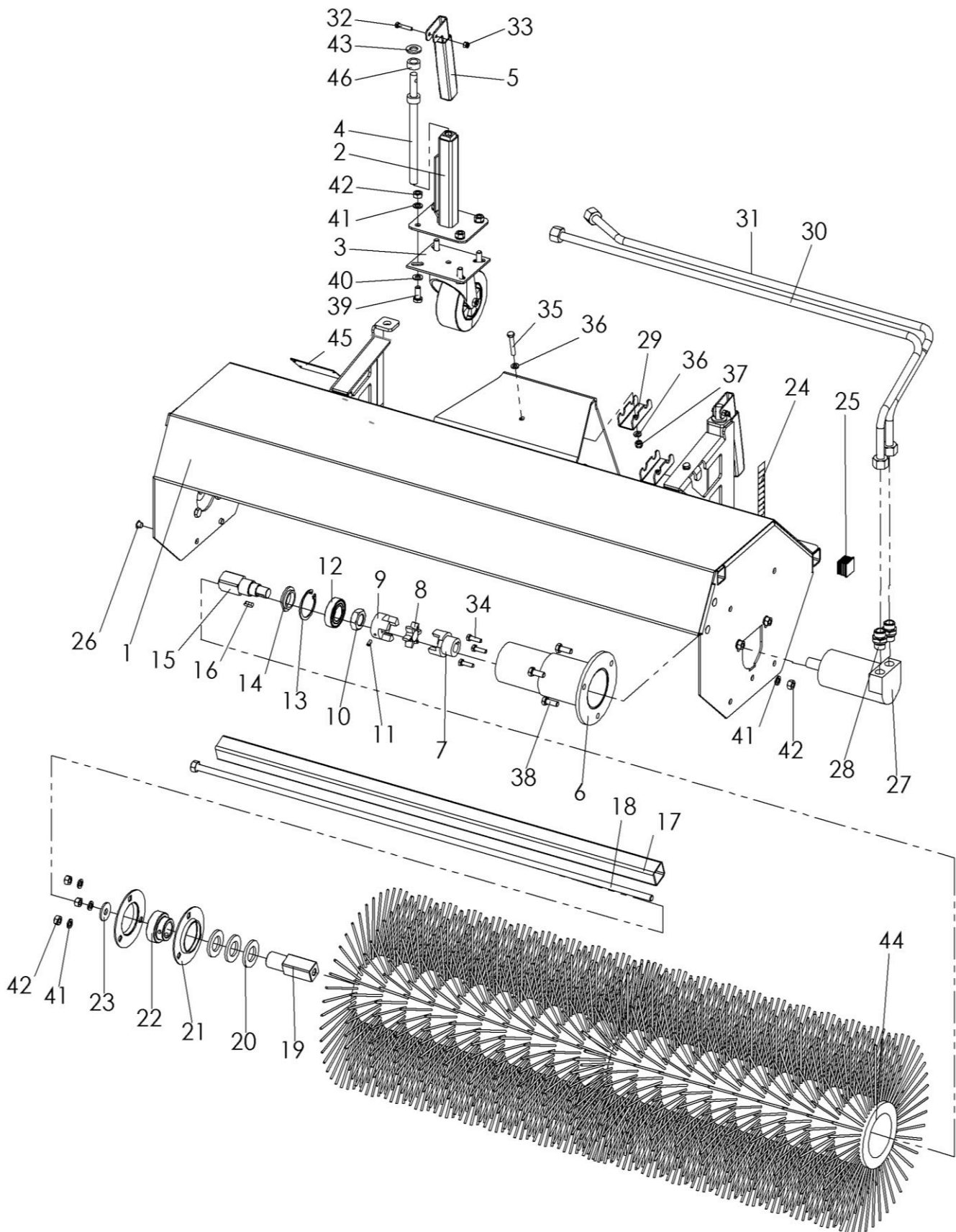
No.	Art.-No.	No.	designation
1	C04793 R00	1	basic unit KM 11537 H-FKDR
2	C02045	1	attachment holder KU 70

2.6 EFKM 12537 H-KU 70- C02757 R00

No.	Art.-No.	No.	designation
1	C04792 R00	1	basic unit KM 12537 H-FKDR
2	C02045	1	attachment holder KU 70

3 Assembly overview

3.1 Basic device



3.1.1 Basic unit KM 10037 H-FKDR -C04581R00

No.	Art.-No.	No.	designation
1	C04582 R01	1	base housing
2	100,000,485	2	roller holder
3	926 302 135	2	wheel
4	100 000 490.1	2	spindle
5	700 000 085	2	hand lever
6	110,000,040	1	drive carrier
7	925 201 016	1	clutch engine side
8	925 202 098	1	clutch driver
9	925 203 016	1	clutch front
10	900 020 010	1	hexagon nut flat
11	902 305 008	1	grub screw
12	924 106 005	1	ball bearings
13	906,000,470	1	retaining ring inside
14	110,000,010	1	disc engine mount
15	110,000,425	1	drive shaft left
16	908 005 515	1	feather key
17	100,000,440	1	drive tube
18	100,000,435	1	tension rod with nut
19	100,000,430	1	drive stub right
20	905,125,000	3	U-disk
21	924 200 205	2	bearing shell
22	924 100 205	1	ball bearings
23	905,210,000	2	K-disk
24	700 000 151	4	sticker height scale
25	943 125 252	2	protective cap
26	943 700 008	8	blind plugs
27	935 111 040	1	hydraulic motor with side connection
28	931 071 238	2	hydraulic screw connection
29	110 371 054	2	cable holder upper part 12L
30	C04786	1	hydraulic line
31	C04787	1	hydraulic line
32	901 005 025	2	hexagon screw without shaft
33	900 005 002	2	lock nut
34	901 806 020	3	Zyl. screw with hexagon socket
35	901 106 040	2	hexagon screw with shaft
36	905,106,000	4	U-disk
37	900 006 002	2	lock nut
38	901 008 020	10	hexagon screw without shaft
39	901 008 020	1	hexagon screw without shaft
40	905,108,000	8	U-disk
41	905 008 000	14	spring ring
42	900 008 001	14	Skt.-Mutter
43	905,112,000	2	U-disk
44	100 510 037	2	combination sweeper roller
45	upon request	1	nameplate
46	014 100 002	2	spacer bushing

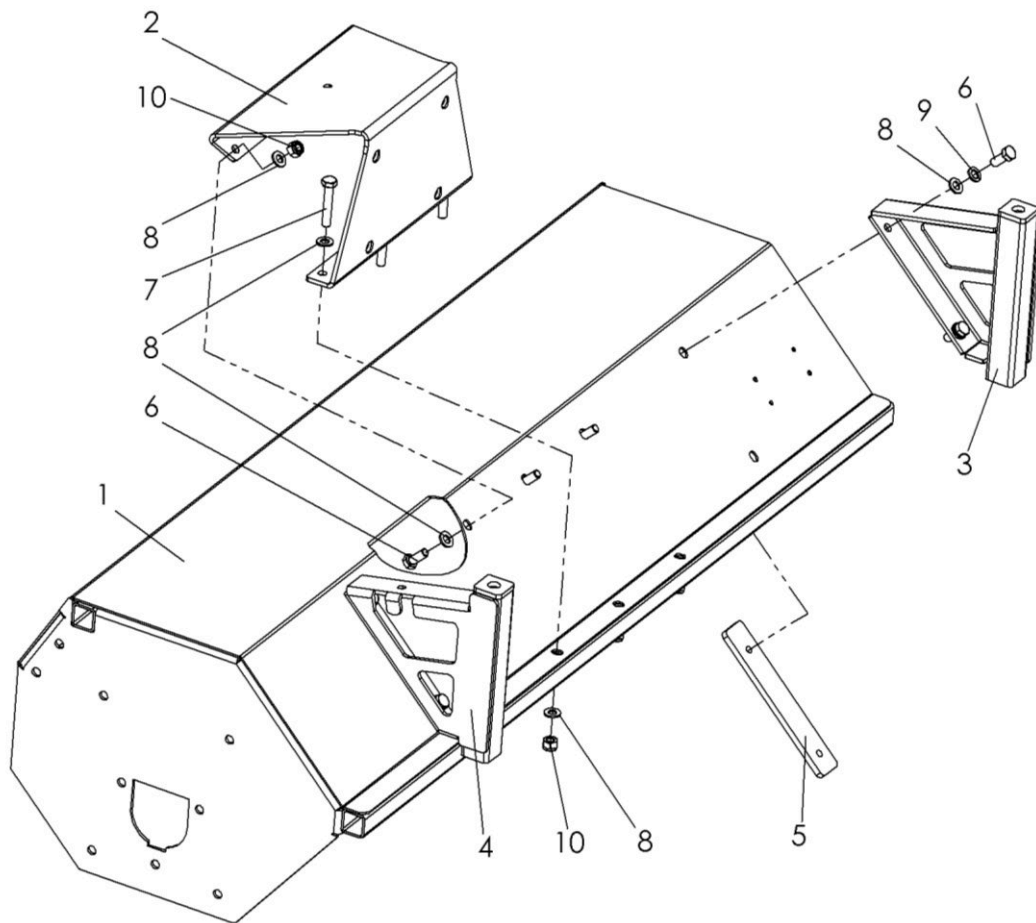
3.1.2 Basic device KM 11537 H-FKDR -C04793R00

No.	Art.-No.	No.	designation
1	C04583 R00	1	base housing
2	100,000,485	2	roller holder
3	926 302 135	2	wheel
4	100 000 490.1	2	spindle
5	700 000 085	2	hand lever
6	110,000,040	1	drive carrier
7	925 201 016	1	clutch engine side
8	925 202 098	1	clutch driver
9	925 203 016	1	clutch front
10	900 020 010	1	hexagon nut flat
11	902 305 008	1	grub screw
12	924 106 005	1	ball bearings
13	906,000,470	1	retaining ring inside
14	110,000,010	1	disc engine mount
15	110,000,425	1	drive shaft left
16	908 005 515	1	feather key
17	115,000,440	1	drive tube
18	115,000,435	1	tension rod with nut
19	100,000,430	1	drive stub right
20	905,125,000	3	U-disk
21	924 200 205	2	bearing shell
22	924 100 205	1	ball bearings
23	905,210,000	2	K-disk
24	700 000 151	4	sticker height scale
25	943 125 252	2	protective cap
26	943 700 008	8	blind plugs
27	935 111 040	1	hydraulic motor with side connection
28	931 071 238	2	hydraulic screw connection
29	110 371 054	2	cable holder upper part 12L
30	C04788	1	hydraulic line return
31	C04789	1	hydraulic line supply
32	901 005 025	2	hexagon screw without shaft
33	900 005 002	2	lock nut
34	901 806 020	3	Cylinder head screw with hexagon socket
35	901 106 040	2	hexagon screw with shaft
36	905,106,000	4	U-disk
37	900 006 002	2	lock nut
38	901 008 016	8	hexagon screw without shaft
39	901 008 020	3	hexagon screw without shaft
40	905,108,000	8	U-disk
41	905 008 000	14	spring ring
42	900 008 001	14	Skt.-Mutter
43	905,112,000	2	U-disk
44	100 510 037	2	combination sweeper roller
45	upon request	1	nameplate
46	014 100 002	2	spacer bushing

3.1.3 Basic unit KM 12537 H-FKDR -C04792R00

No.	Art.-No.	No.	designation
1	C04584 R00	1	base housing
2	100,000,485	2	roller holder
3	926 302 135	2	wheel
4	100 000 490.1	2	spindle
5	700 000 085	2	hand lever
6	110,000,040	1	drive carrier
7	925 201 016	1	clutch engine side
8	925 202 098	1	clutch driver
9	925 203 016	1	clutch front
10	900 020 010	1	hexagon nut flat
11	902 305 008	1	grub screw
12	924 106 005	1	ball bearings
13	906,000,470	1	retaining ring inside
14	110,000,010	1	disc engine mount
15	110,000,425	1	drive shaft left
16	908 005 515	1	feather key
17	125,000,440	1	drive tube
18	125,000,435	1	tension rod with nut
19	100,000,430	1	drive stub right
20	905,125,000	3	U-disk
21	924 200 205	2	bearing shell
22	924 100 205	1	ball bearings
23	905,210,000	2	K-disk
24	700 000 151	4	sticker height scale
25	943 125 252	2	protective cap
26	943 700 008	8	blind plugs
27	935 111 040	1	hydraulic motor with side connection
28	931 071 238	2	hydraulic screw connection
29	110 371 054	2	cable holder upper part 12L
30	C04758	1	hydraulic line return
31	C04759	1	hydraulic line supply
32	901 005 025	2	hexagon screw without shaft
33	900 005 002	2	lock nut
34	901 806 020	3	Cylinder head screw with hexagon socket
35	901 106 040	2	hexagon screw with shaft
36	905,106,000	4	U-disk
37	900 006 002	2	lock nut
38	901 008 016	8	hexagon screw without shaft
39	901 008 020	3	hexagon screw without shaft
40	905,108,000	8	U-disk
41	905 008 000	14	spring ring
42	900 008 001	14	Skt.-Mutter
43	905,112,000	2	U-disk
44	100 510 037	2	combination sweeper roller
45	upon request	1	nameplate
46	014 100 002	2	spacer bushing

3.2 Screwable base housing



3.2.1 Basic housing KM 10037 H - C04582 R01

No.	Art.-No.	No.	designation
1	C04572	1	basic housing KM 10037 H
2	C04497	1	gore
3	C04498	1	wheel holder right screwable
4	C04500	1	wheel holder left, screwable
5	C04502	2	counterholder, wheel holder
6	901 008 020	7	hexagon screw without shaft
7	901 008 045	3	hexagon screw with shaft
8	905,108,000	16	U-disk
9	905 008 000	4	spring ring
10	900 008 002	6	lock nut

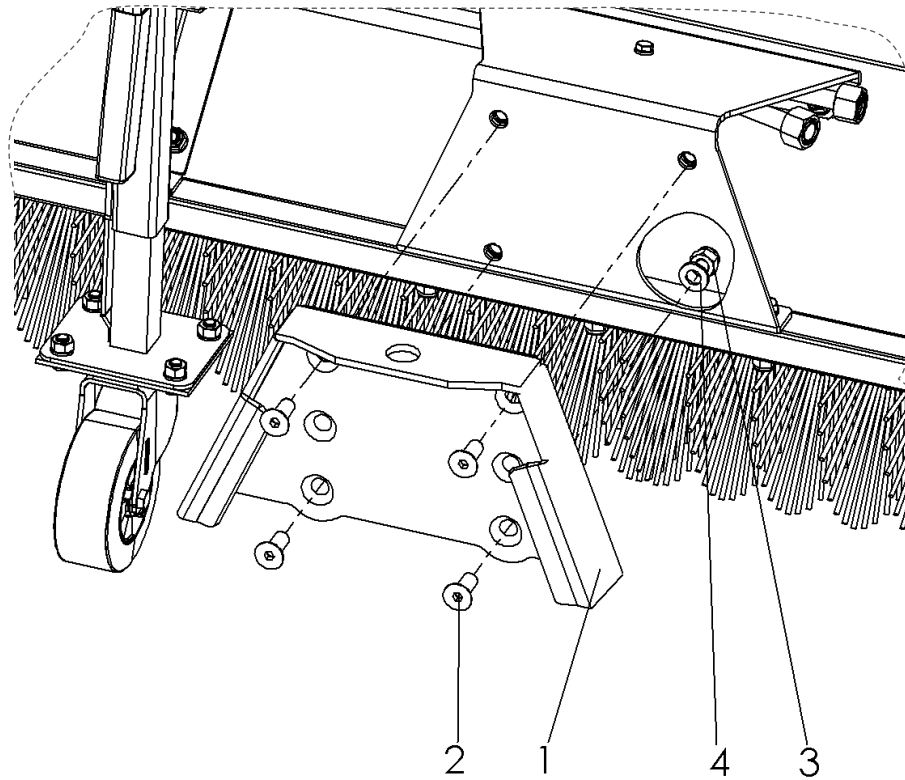
3.2.2 Basic housing KM 11537 H - C04583 R00

No.	Art.-No.	No.	designation
1	C04571	1	basic housing KM 11537 H
2	C04497	1	gore
3	C04498	1	wheel holder right screwable
4	C04500	1	wheel holder left, screwable
5	C04502	2	counterholder, wheel holder
6	901 008 020	7	hexagon screw without shaft
7	901 008 045	3	hexagon screw with shaft
8	905,108,000	16	U-disk
9	905 008 000	4	spring ring
10	900 008 002	6	lock nut

3.2.3 Basic housing KM 12537 H - C04584 R00

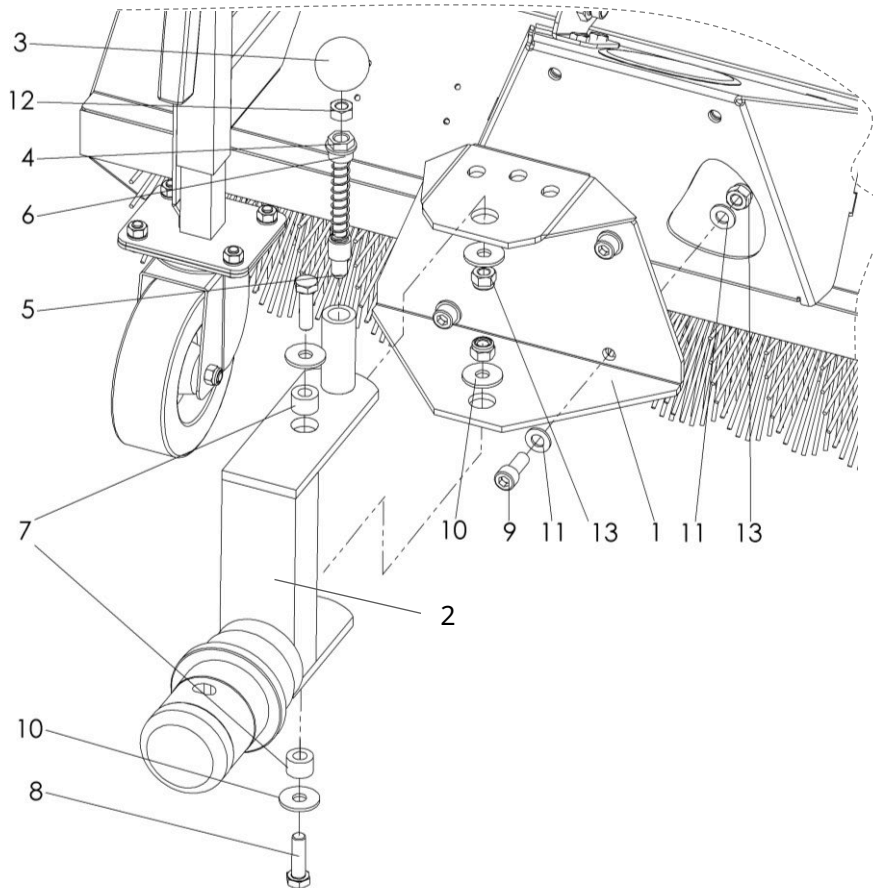
No.	Art.-No.	No.	designation
1	C04496	1	basic housing KM 12537 H
2	C04497	1	gore
3	C04498	1	wheel holder right screwable
4	C04500	1	wheel holder left, screwable
5	C04502	2	counterholder, wheel holder
6	901 008 020	7	hexagon screw without shaft
7	901 008 045	3	hexagon screw with shaft
8	905,108,000	16	U-disk
9	905 008 000	4	spring ring
10	900 008 002	6	lock nut

3.3 Recording KD - C02046 R01



No.	Art.-No.	No.	designation
1	050 427 010	1	dome triangle machine side
2	901 210 025	4	Countersunk screw with hexagon socket
3	900 010 002	4	lock nut
4	905,110,000	4	U-disk

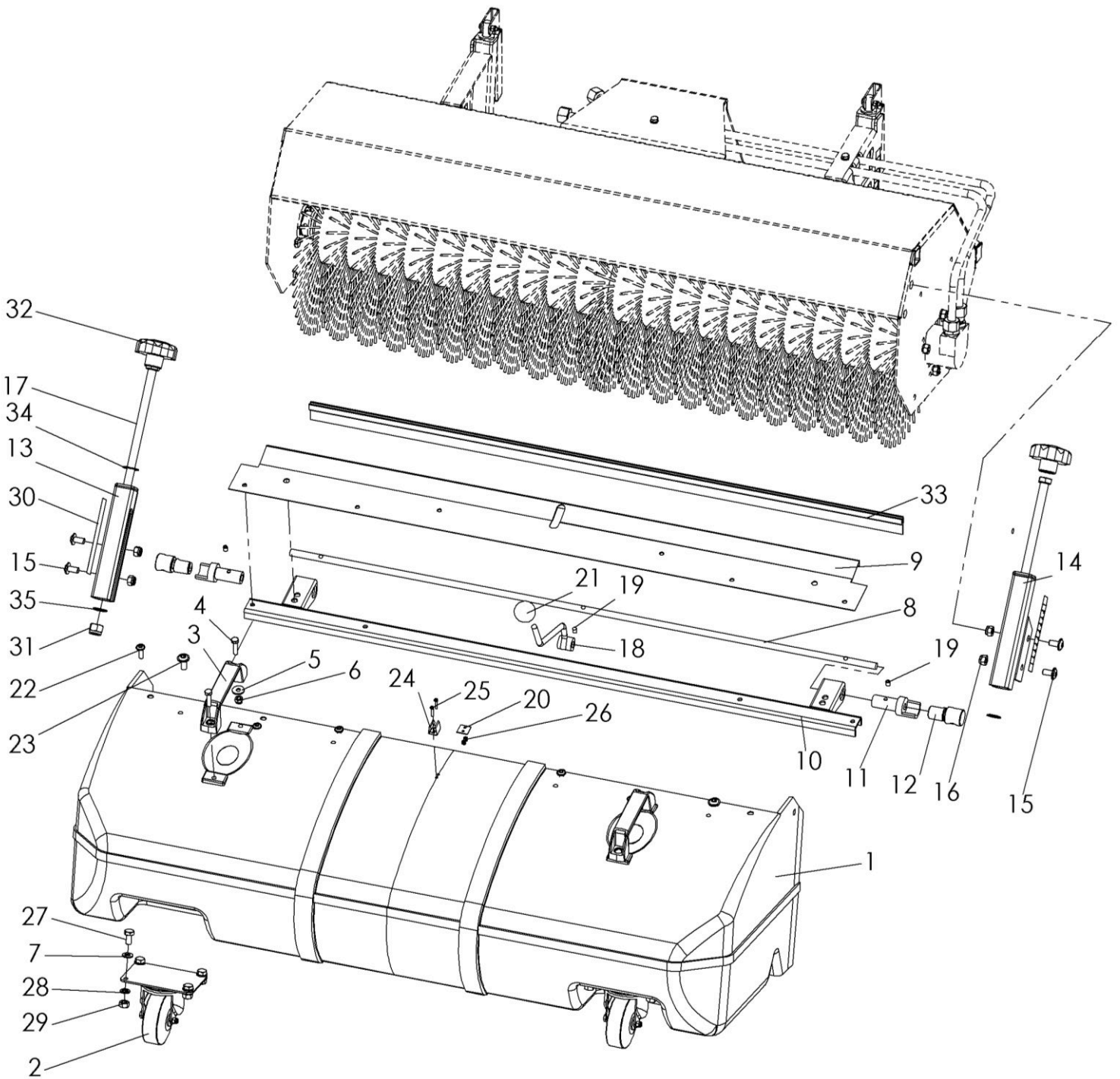
3.4 Recording KU 70 - C02045 R00



No.	Art.-No.	No.	designation
1	700 002 267	1	Recording
2	700 002 266	1	intermediate shot
3	941 220 010	1	ball button
4	700 000 171	1	screw plug
5	700 001 170	1	locking pin
6	909 100 189	1	compression spring
7	705 205 135	2	sleeve
8	901 010 035	2	hexagon screw without shaft
9	901 810 025	4	cylinder head screw with hexagon socket
10	905,210,000	4	K-disk
11	905,110,000	8	U-disk
12	900 010 001	1	Skt.-Mutter
13	900 010 002	6	lock nut

4 Accessories for front sweeper

4.1 Dirt collection container



4.1.1 Dirt collection container SSB 100 K for KM 10037 H-FKDR - C00856 R00

No.	Art.-No.	No.	designation
1	100 101 625	1	dirt collection container
2	926 301 076	2	wheel
3	941 310 005	2	handle
4	901 006 025	4	hexagon screw without shaft
5	905 206 018	4	K-disk
6	900 006 002	10	lock nut
7	905,108,000	8	U-disk
8	712 100 116	1	locking shaft
9	100 101 626	1	plastic container holding rail
10	712 100 115	1	locking rail
11	712 000 117	2	container closure tube
12	712 000 120	2	locking block
13	712 000 122	1	guide rail right
14	712 000 121	1	guide rail left
15	903 908 016	4	Lens head screw with hexagon socket
16	900 008 002	6	lock nut
17	901 112 180	2	hexagon screw
18	712 000 118	1	locking lever collection container
19	902 306 005	3	grub screw
20	712 075 093	1	lever holder counterpart
21	941 220 008	1	ball button
22	903 906 020	6	Lens head screw with hexagon socket
23	903 908 020	2	Lens head screw with hexagon socket
24	912 900 101	1	lever holder
25	903 603 016	2	slotted truss head screw
26	900 003 002	2	lock nut
27	901 008 016	8	hexagon screw
28	905 008 000	8	spring ring
29	900 008 001	8	Skt.-Mutter
30	700 000 151	2	sticker height scale
31	900 012 002	2	lock nut
32	941 410 031	2	handwheel
33	712 100 111	1	rubber strip
34	905,412,000	2	spring washer
35	906,510,000	2	lock washer

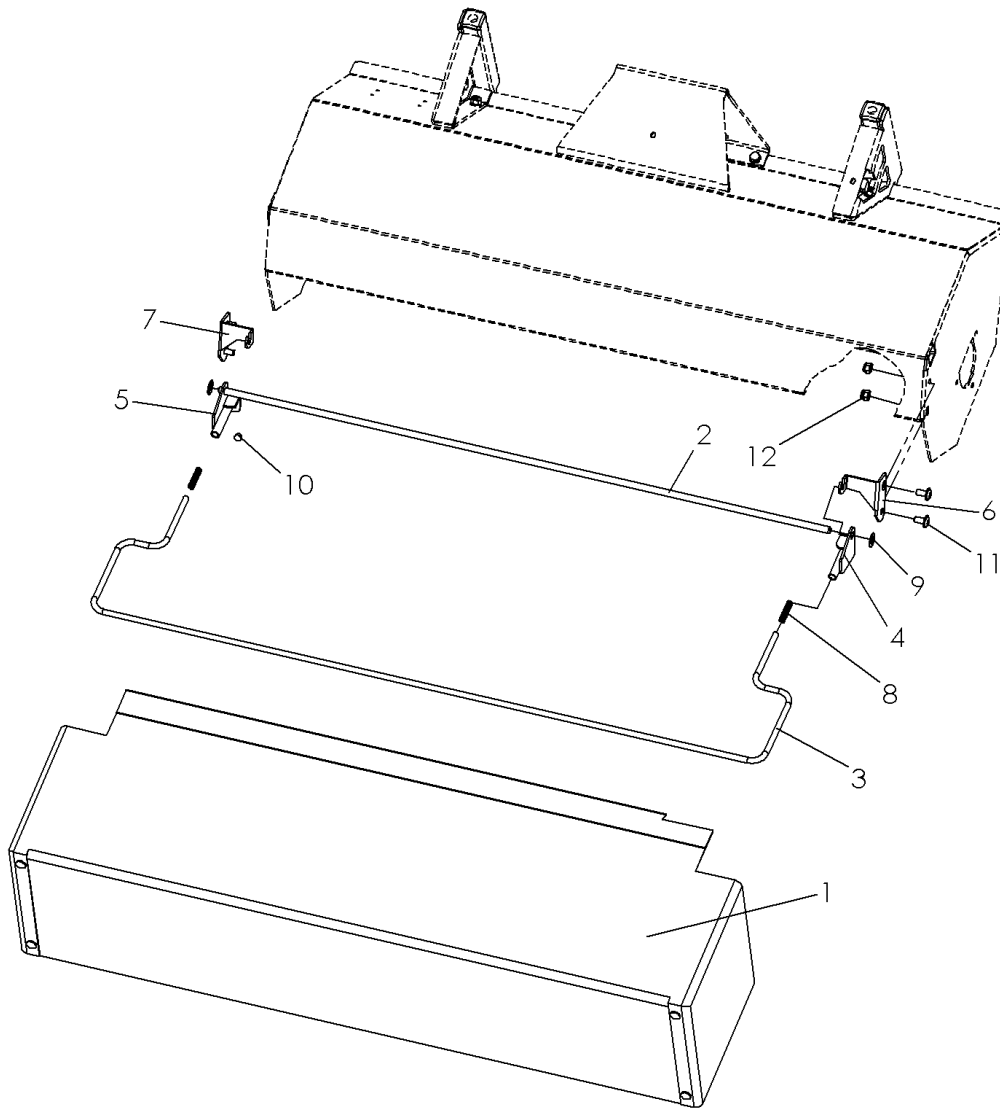
4.1.2 Dirt collection container SSB 115 K for KM 11537 H-FKDR - C01553 R00

No.	Art.-No.	No.	designation
1	115 101 625	1	dirt collection container
2	926 301 076	2	wheel
3	941 310 005	2	handle
4	901 006 025	4	hexagon screw without shaft
5	905 206 018	4	K-disk
6	900 006 002	10	lock nut
7	905,108,000	8	U-disk
8	712 115 116	1	locking shaft
9	115 101 626	1	plastic container holding rail
10	712 115 115	1	locking rail
11	712 000 117	2	container closure tube
12	712 000 120	2	locking block
13	712 000 122	1	guide rail right
14	712 000 121	1	guide rail left
15	903 908 016	4	Lens head screw with hexagon socket
16	900 008 002	6	lock nut
17	901 112 180	2	hexagon screw with shaft
18	712 000 118	1	locking lever collection container
19	902 306 005	3	grub screw
20	712 075 093	1	lever holder counterpart
21	941 220 008	1	ball button
22	903 906 020	6	Lens head screw with hexagon socket
23	903 908 020	2	Lens head screw with hexagon socket
24	912 900 101	1	lever holder
25	903 603 016	2	slotted truss head screw
26	900 003 002	2	lock nut
27	901 008 016	8	hexagon screw without shaft
28	905 008 000	8	spring ring
29	900 008 001	8	Skt.-Mutter
30	700 000 151	2	sticker height scale
31	900 012 002	2	lock nut
32	941 410 031	2	handwheel
33	712 115 111	1	rubber strip
34	905,412,000	2	spring washer
35	906,510,000	2	lock washer

4.1.3 Dirt collection container SSB 125 K for KM 12537 H-FKDR - C01492 R00

No.	Art.-No.	No.	designation
1	125 101 625	1	dirt collection container
2	926 301 076	2	wheel
3	941 310 005	2	handle
4	901 006 025	4	hexagon screw without shaft
5	905 206 018	4	K-disk
6	900 006 002	10	lock nut
7	905,108,000	8	U-disk
8	712 125 116	1	locking shaft
9	125 101 626	1	plastic container holding rail
10	712 125 115	1	locking rail
11	712 000 117	2	container closure tube
12	712 000 120	2	locking block
13	712 000 122	1	guide rail right
14	712 000 121	1	guide rail left
15	903 908 016	4	Lens head screw with hexagon socket
16	900 008 002	6	lock nut
17	901 112 180	2	hexagon screw with shaft
18	712 000 118	1	locking lever collection container
19	902 306 005	3	grub screw
20	712 075 093	1	lever holder counterpart
21	941 220 008	1	ball button
22	903 906 020	6	Lens head screw with hexagon socket
23	903 908 020	2	Lens head screw with hexagon socket
24	912 900 101	1	lever holder
25	903 603 016	2	slotted truss head screw
26	900 003 002	2	lock nut
27	901 008 016	8	hexagon screw without shaft
28	905 008 000	8	spring ring
29	900 008 001	8	Skt.-Mutter
30	700 000 151	2	sticker height scale
31	900 012 002	2	lock nut
32	941 410 031	2	handwheel
33	712 125 111	1	rubber strip
34	905,412,000	2	spring washer
35	906,510,000	2	lock washer

4.2 Rubber splash flaps



4.2.1 Rubber splash flap GUSPL 100 for KM 10037 H-FKDR - C01490 R00

No.	Art.-No.	No.	designation
1	712 100 094	1	FKM 1050 splash guard
2	712 100 216	1	hanging rod
3	712 100 095	1	carrying handle
4	712 000 129	1	mud flap holder, left
5	712 000 128	1	mud flap holder, right
6	712 000 097	1	retaining plate on the left
7	712 000 096	1	retaining plate on the right
8	909 100 207	2	compression spring
9	906,510,000	2	lock washer
10	943 700 910	2	insert buffer, black
11	903 908 020	4	Lens head screw with hexagon socket
12	900 008 002	4	lock nut

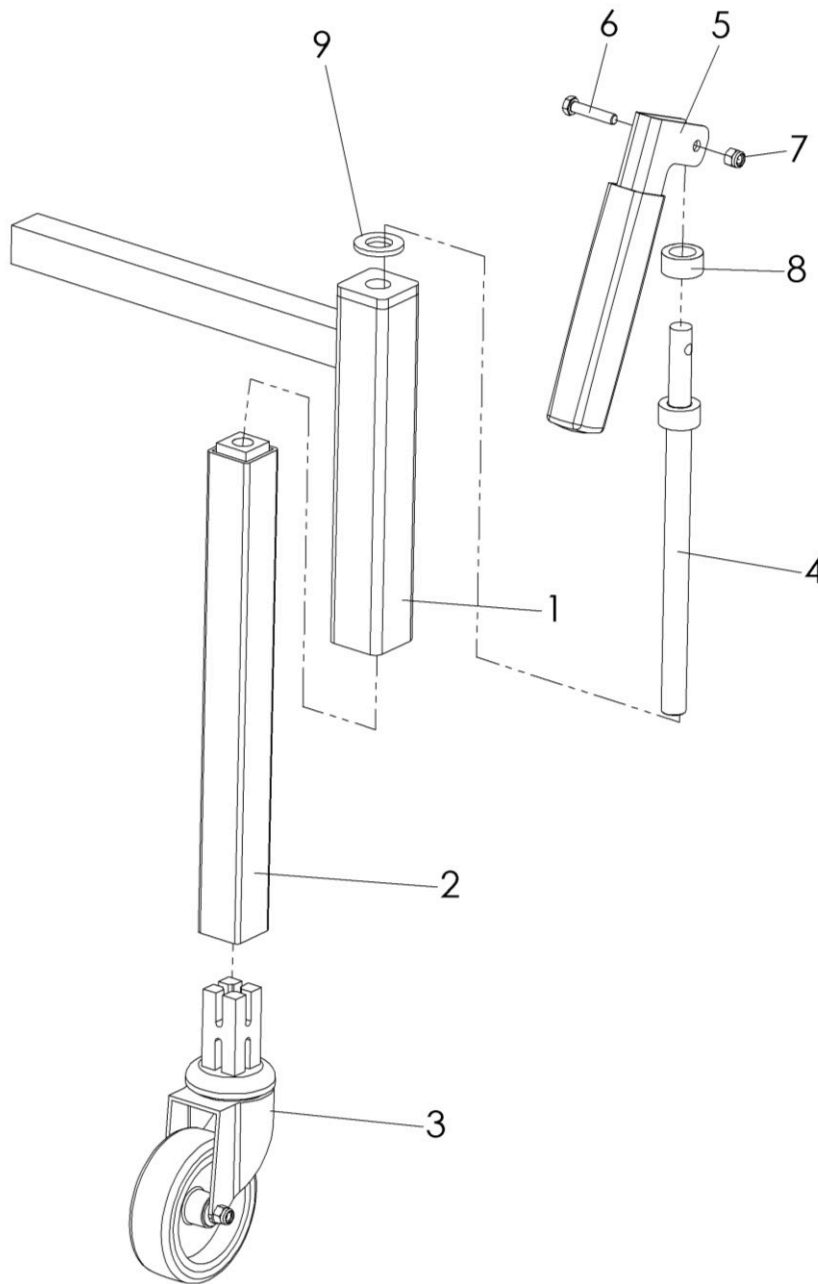
4.2.2 Rubber splash flap GUSPL 115 for KM 11537 H-FKDR - C01554 R00

No.	Art.-No.	No.	designation
1	712 115 094	1	mud flaps
2	712 115 216	1	hanging rod
3	712 115 095	1	carrying handle
4	712 000 129	1	mud flap holder, left
5	712 000 128	1	mud flap holder, right
6	712 000 097	1	retaining plate on the left
7	712 000 096	1	retaining plate on the right
8	909 100 207	2	compression spring
9	906,510,000	2	lock washer
10	943 700 910	2	insert buffer, black
11	903 908 020	4	Lens head screw with hexagon socket
12	900 008 002	4	lock nut

4.2.3 Rubber splash flap GUSPL 125 for KM 12537 H-FKDR - C01493 R00

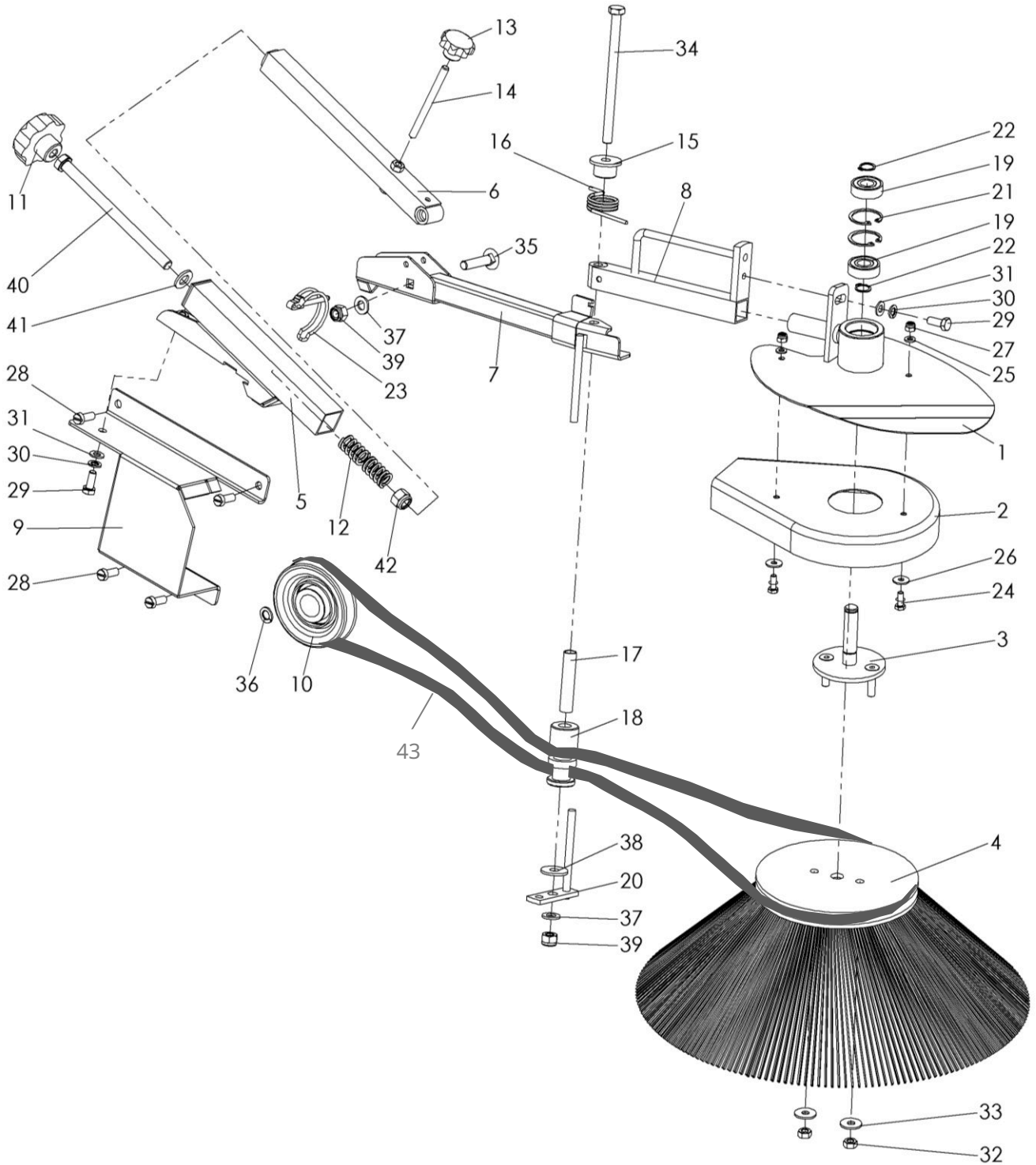
No.	Art.-No.	No.	designation
1	712 125 094	1	mud flaps
2	712 125 216	1	hanging rod
3	712 125 095	1	carrying handle
4	712 000 129	1	mud flap holder, left
5	712 000 128	1	mud flap holder, right
6	712 000 097	1	retaining plate on the left
7	712 000 096	1	retaining plate on the right
8	909 100 207	2	compression spring
9	906,510,000	2	lock washer
10	943 700 910	2	insert buffer, black
11	903 908 020	4	Lens head screw with hexagon socket
12	900 008 002	4	lock nut

4.3 Support legs AST 37 LR- C01989 R00



No.	Art.-No.	No.	designation
1	100 001 441	1	parking support
2	135,000,443	1	inner tube support
3	926 301 075	1	support wheel with expander
4	100,000,490	1	spindle
5	700 000 085	1	hand lever
6	901 005 025	1	hexagon screw without shaft
7	900 005 002	1	lock nut
8	014 100 002	1	spacer bushing
9	905,112,000	1	U-disk

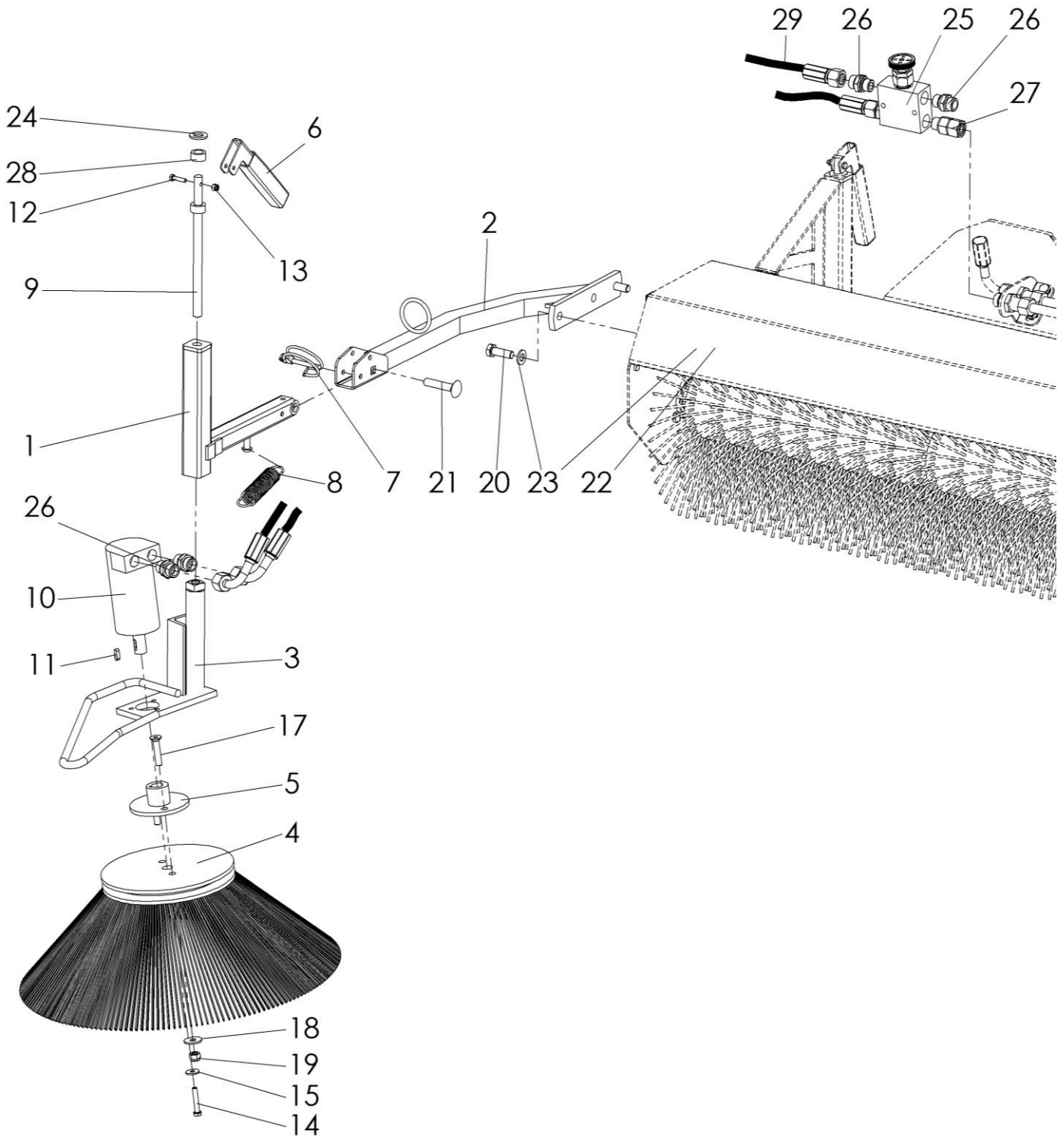
4.4 Attachment side brush - ASM 4032 / ASM 4037 - C00900 R00



4.5 Attachment side brush - ASM 4032 / ASM 4037 - C00900 R00

No.	Art.-No.	No.	designation
1	105,000,129	1	side brush holder and collision protection
2	105,000,130	1	side brush guard
3	105,000,020	1	broom plate
4	105 450 400	1	broom
5	105,000,122	1	side brush arm part 1
6	105,000,123	1	side brush arm part 2
7	105 000 125	1	side brush arm part 3
8	105,000,126	1	side brush arm part 4
9	105 000 121	1	side brush holder
10	105,000,120	1	V-belt pulley
11	941 410 031	1	star grip
12	909 103 288	2	compression spring
13	941 210 008	1	star grip
14	105,000,124	1	threaded rod
15	105,000,127	1	centering bushing
16	909 300 462	1	torsion spring
17	705 141 168	1	Pipe
18	105,000,128	1	V-belt pulley
19	924 306 202	2	ball bearings
20	105,000,131	1	belt guide
21	906,000,350	2	retaining ring inside
22	905,915,000	2	retaining ring outside
23	907,155,000	1	pipe linchpin
24	901 006 016	2	hexagon screw without shaft
25	905,106,000	2	U-disk
26	905 206 018	2	K-disk
27	900 006 002	2	lock nut
28	903 608 020	4	slotted truss head screw
29	901 008 020	2	hexagon screw without shaft
30	905 008 000	2	spring ring
31	905,108,000	2	U-disk
32	900 008 001	3	Skt.-Mutter
33	905 208 025	2	K-disk
34	901 110 150	1	hexagon screw with shaft
35	901 910 045	1	carriage bolt
36	905,010,000	1	spring ring
37	905,110,000	2	U-disk
38	905,210,000	1	K-disk
39	900 010 002	2	lock nut
40	901 112 180	1	hexagon screw with shaft
41	905,112,000	1	U-disk
42	900 012 002	1	lock nut
43	921 110 185	1	V-belt

4.6 Attachment side brush - ASH 403237 right version - C05504 R00



Side brush attachment - ASH 403237 right version - C05504 R00

No.	Art.-No.	No.	designation
1	105 000 116	1	folding tube side brush right
2	105,000,117	1	side brush arm, right
3	135 000 056	1	side brush holder, right
4a	105 450 400	1	circular broom poly bristles
4b	105,475,400	1	Disc broom poly / corrugated wire
4c	105,480,400	1	disc broom corrugated wire trim
5	135 002 113	1	broom plate
6	700 000 085	1	hand lever
7	907,155,000	1	pipe linchpin
8	909 200 155	1	tension spring
9	100,000,490	1	spindle
10	935 111 040	1	hydraulic motor with side connection
11	908 005 516	1	key A5x5x16
12	901 005 020	1	hexagon screw without shaft
13	900 005 002	1	lock nut
14	901 006 035	1	hexagon screw without shaft
15	905 206 025	1	K-disk
16	905,006,000	1	spring ring
17	901 208 040	2	Countersunk head screw with hexagon socket
18	905 208 025	2	K-disk
19	900 008 002	2	lock nut
20	901 010 030	2	hexagon screw without shaft
21	901 910 045	1	carriage bolt
22	900 010 002	3	lock nut
23	905,110,000	5	U-disk
24	905,112,000	1	U-disk
25	950 050 936	1	control valve compl.
			Consisting of:
			C04845 hydraulic block
			936 203 006 standard cartridge
26	931 071 238	5	hydraulic screw connection
27	931 031 238	1	hydraulic screw connection
28	014 100 002	1	spacer bushing
29	see table	1 sentence	hydraulic hose

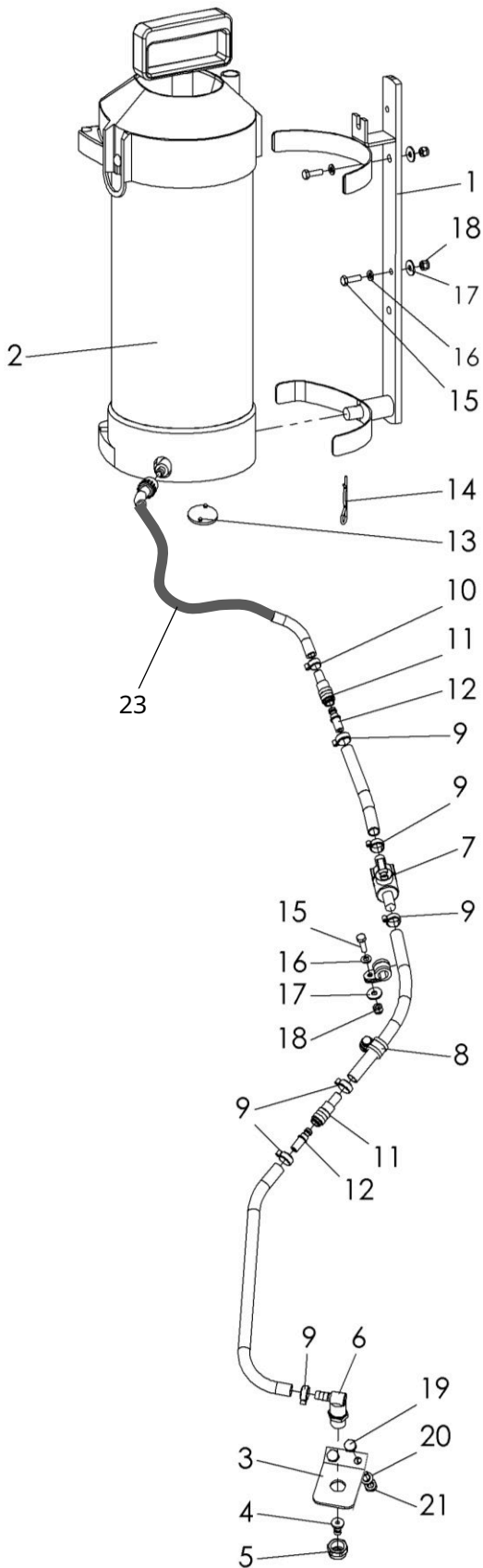
hydraulic hoses

sweeper	Art.-No.	No.	designation
KM 10037	930 100 995	1 sentence	hydraulic hose
KM 11537	930 000 018	2	hydraulic hose
KM 12537	930 000 018	2	hydraulic hose

4.7 ASH 403237 left version – C05505 R00

No.	Art.-No.	No.	designation
1	105 000 116	1	folding tube side brush right
2	105 001 117	1	side brush arm, left
3	135 001 056	1	side brush holder, left
4a	105 450 400	1	circular broom poly bristles
4b	105,475,400	1	Disc broom poly / corrugated wire
4c	105,480,400	1	disc broom corrugated wire trim
5	135 002 113	1	broom plate
6	700 000 085	1	hand lever
7	907,155,000	1	pipe linchpin
8	909 200 155	1	tension spring
9	100 000 490.1	1	spindle
10	935 111 040	1	hydraulic motor with side connection
11	908 005 516	1	feather key
12	901 005 020	1	hexagon screw without shaft
13	900 005 002	1	lock nut
14	901 006 035	1	hexagon screw without shaft
15	905 206 025	1	K-disk
16	905,006,000	1	spring ring
17	901 208 040	2	Countersunk head screw with hexagon socket
18	905 208 025	2	K-disk
19	900 008 002	2	lock nut
20	901 010 030	2	hexagon screw without shaft
21	901 910 045	1	carriage bolt
22	900 010 002	3	lock nut
23	905,110,000	5	U-disk
24	905,112,000	1	U-disk
25	950 050 936	1	control valve compl.
26	931 071 238	5	hydraulic screw connection
27	931 031 238	1	hydraulic screw connection
28	014 100 002	1	spacer bushing
29	See table	¹ sentence	hydraulic hose

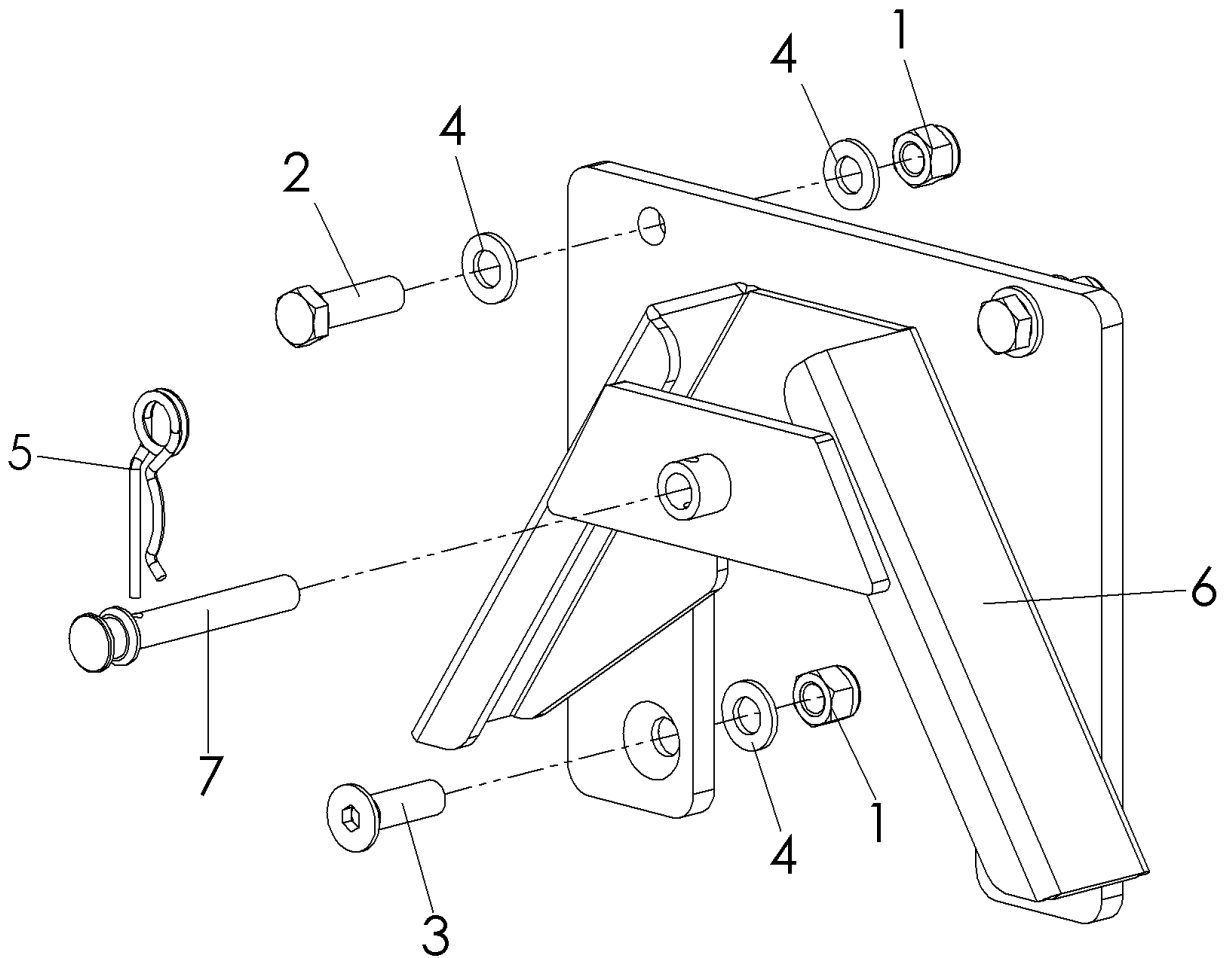
4.8 Water sprinkler system WAS 51 KM - C01818 R00



No.	Art.-No.	No.	designation
1	050 000 010	1	mounting frame water barrel 5l
2	961 050 229	1	Water barrel 5 Ltr. complete
3	106,000,001	1	retaining plate water nozzle
4	961 060 015	1	water nozzle
5	961 061 325	1	union nut
6	961 066 472	1	angle piece
7	961 020 002	1	stopcock
8	908 618 015	2	pipe clamp
9	908 300 138	6	pipe clamp
10	908 300 165	1	pipe clamp
11	961 040 026	2	coupling for hose
12	961 030 017	2	Plug for water sprinkler system
13	961 507 490	1	pot collar
14	907 002 001	1	spring pin
15	901 006 020	4	hexagon screw without shaft
16	905,106,000	4	U-disk
17	905 206 018	4	K-disk
18	900 006 002	4	lock nut
19	901 008 016	2	hexagon screw without shaft
20	905 008 000	2	spring ring
21	900 008 002	2	lock nut
23	961 010 101	2m	Water hose - only available in meter lengths!

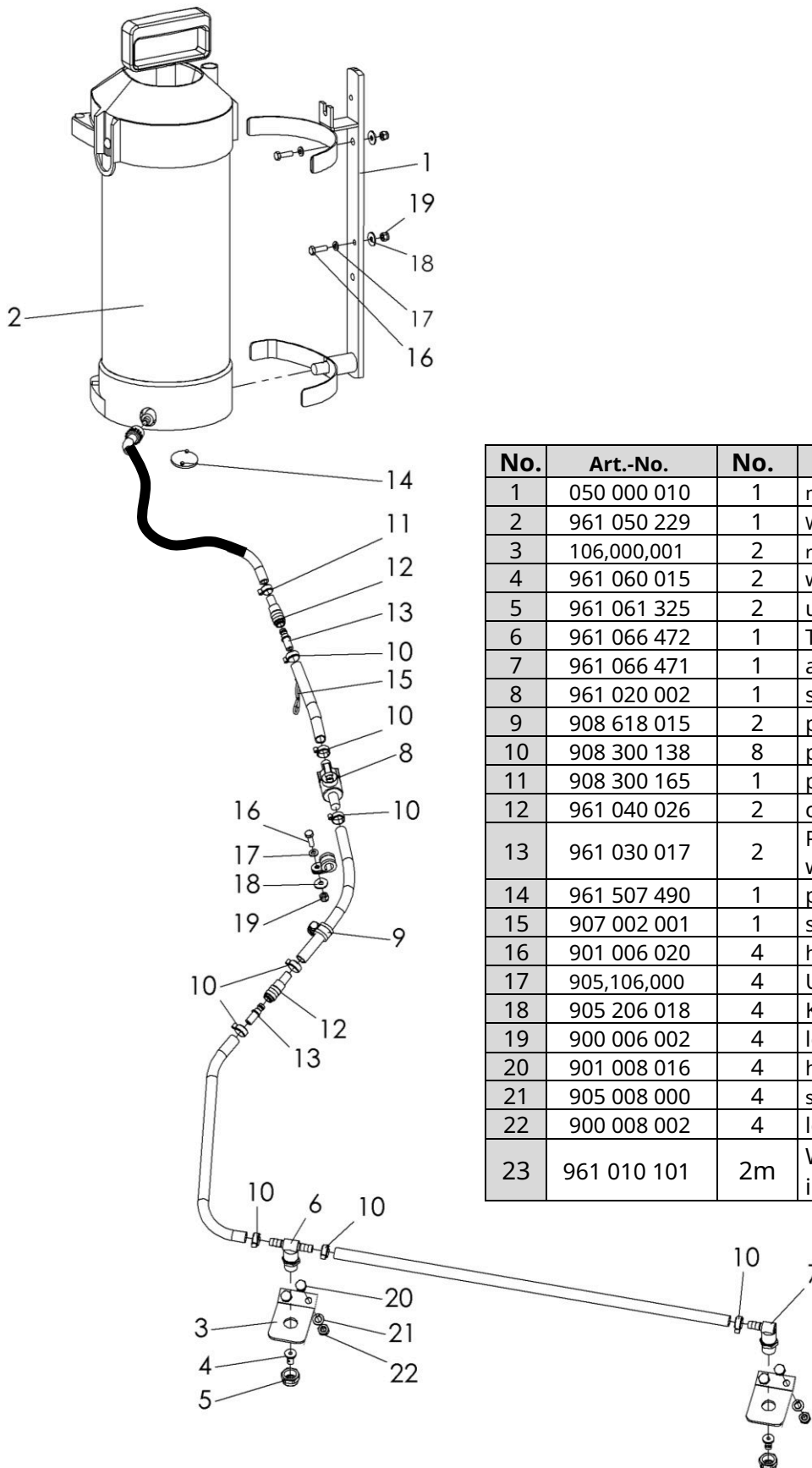
4.9 Kuppe

4.10 Dome triangle Cat. Kersten - S1154



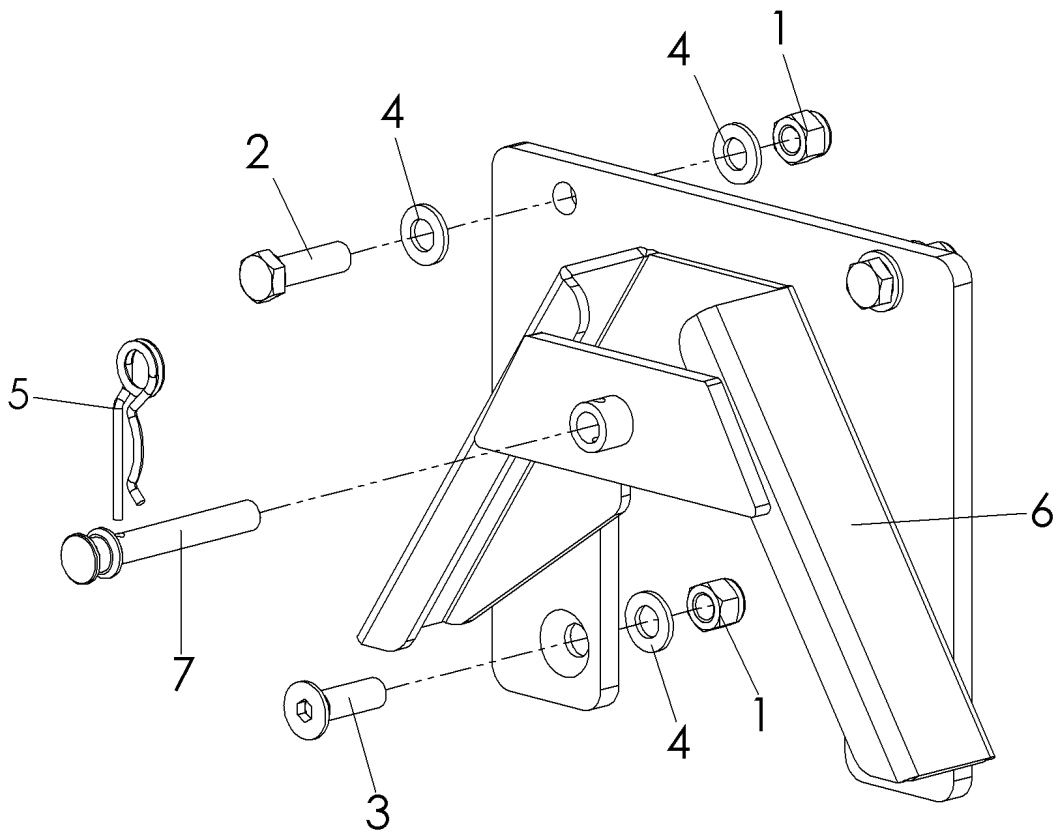
No.	Art.-No.	No.	Designation 1
1	900 012 002	4	lock nut
2	901 012 040	2	hexagon screw without shaft
3	901 212 040	2	Countersunk screw with hexagon socket
4	905,112,000	6	U-disk
5	907 004 003	1	spring pin
6	C04205	1	dome triangle complete
7	C12509	1	socket pin

4.11 Water sprinkler system WAS 52 KM - C01795 R00






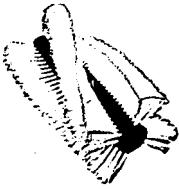
No.	Art.-No.	No.	designation
1	050 000 010	1	mounting frame water barrel 5l
2	961 050 229	1	Water barrel 5 Ltr. complete
3	106,000,001	2	retaining plate water nozzle
4	961 060 015	2	water nozzle
5	961 061 325	2	union nut
6	961 066 472	1	T-piece
7	961 066 471	1	angle piece
8	961 020 002	1	stopcock
9	908 618 015	2	pipe clamp
10	908 300 138	8	pipe clamp
11	908 300 165	1	pipe clamp
12	961 040 026	2	coupling for hose
13	961 030 017	2	Plug for water sprinkler system
14	961 507 490	1	pot collar
15	907 002 001	1	spring pin
16	901 006 020	4	hexagon screw without shaft
17	905,106,000	4	U-disk
18	905 206 018	4	K-disk
19	900 006 002	4	lock nut
20	901 008 016	4	hexagon screw without shaft
21	905 008 000	4	spring ring
22	900 008 002	4	lock nut
23	961 010 101	2m	Water hose - only available in meter lengths!

4.12 Dome triangle Cat. Kersten - S1154



No.	Art.-No.	No.	Designation 1
1	900 012 002	4	lock nut
2	901 012 040	2	hexagon screw without shaft
3	901 212 040	2	Countersunk screw with hexagon socket
4	905,112,000	6	U-disk
5	907 004 003	1	spring pin
6	C04205	1	dome triangle complete
7	C12509	1	socket pin

4.13 Sweeping rollers: diameter 37cm

Picture	Designation	Order No.
	<p>dirt sweeper with poly full trim</p> <p>for KM 10037 H-FKDR for KM 11537 H-FKDR for KM 12537 H-FKDR</p>	<p>100 516 037 115 516 037 125 516 037</p>
	<p>dirt sweeper roller mixed with poly/ corrugated wire trim (each 50%)</p> <p>for KM 10037 H-FKDR for KM 11537 H-FKDR for KM 12537 H-FKDR</p>	<p>100 516 537 115 516 537 125 516 537</p>
	<p>combination sweeper roller with 5-row Polly twist trim</p> <p>for KM 10037 H-FKDR for KM 11537 H-FKDR for KM 12537 H-FKDR</p>	<p>100 510 037 115 510 037 125 510 037</p>
	<p>snow sweeper</p> <p>for KM 10037 H-FKDR for KM 11537 H-FKDR for KM 12537 H-FKDR</p>	<p>100 508 037 115 508 037 125 508 037</p>